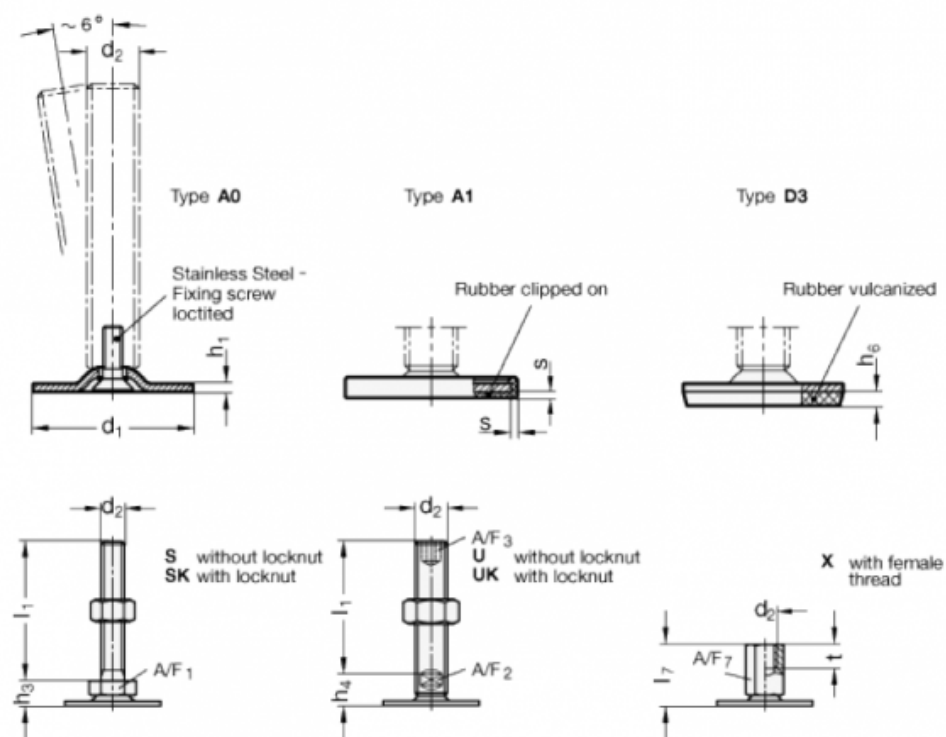


Article number: 204050M1260A3S

Description: E+G levelling foot
GN 40-50-M12-60-A3-S

Note: S Without nut, External hexagon at the bottom

Measures



A/F1	= 17
d1	= 50
d2	= M12
h1	= 2.5
h3	= 11
h6	= 4
l1	= 60
s	=